

Product Dimensions

Part No. HEL-MATOSP



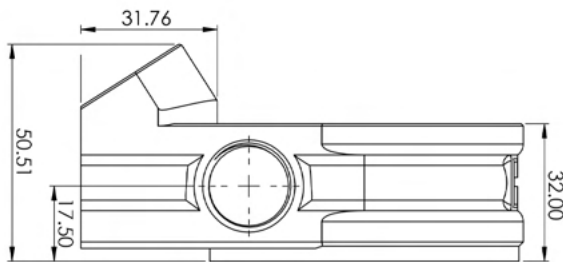
Multi-Angle Thermostatic
Oil Filter Sandwich Plate



What's Included

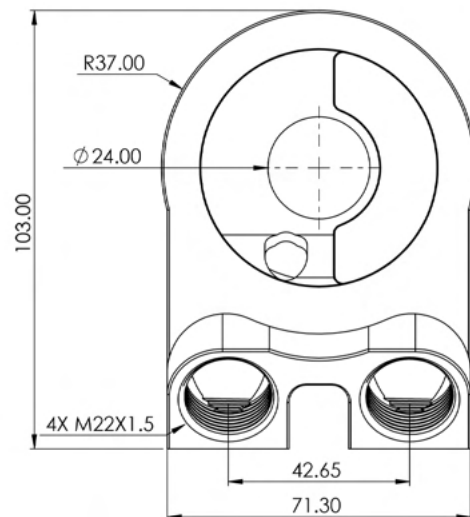
- 1x HEL Multi-Angle Thermostatic Oil Filter Sandwich Plate
- 1x Built-In Thermostatic Valve
- 1x Threaded Centre Bolt
- 1x Nitrile O-Ring
- 2x Port Plug (Blank) or Sensor Adapter

*Dimensions below are shown in millimeters (mm)



Installation & Assembly

- Please relieve fluid **pressure** and allow temperature to **cool** before **removing** any hose, fittings or adapters.
- **Lubricate** seals and **avoid** over-tightening threads.
- Please contact our technical support team for any further information or **help** with your installation.



⚠ Please Note

Before operating the vehicle, it is the installer's responsibility to ensure that all components are fully tightened and secure. Failure to do so, could result in oil loss or, in the worst case, engine failure.

Contact

auto@helpperformance.com
01392 811 601 (Option 2)



auto.helpperformance.com

Revision 20/03/24

