

Product Dimensions

Part No. HEL-SPS-SENS



Oil Filter Sandwich Plate Spacer
with 1/8" NPT Sensor Ports



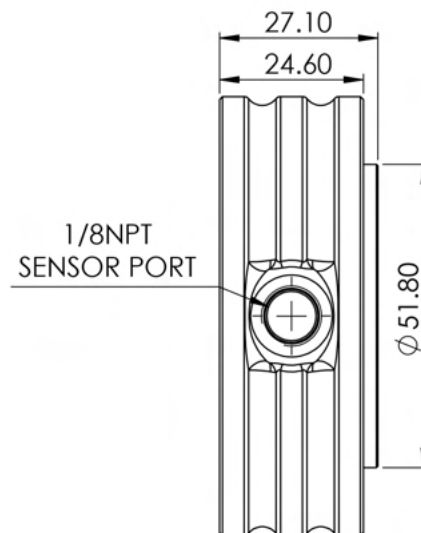
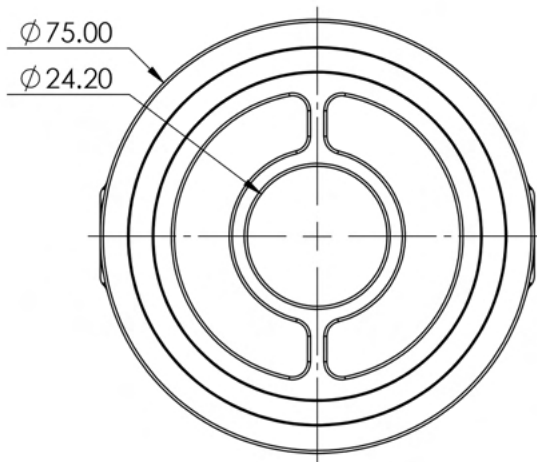
What's Included

- 1x HEL Oil Filter Sandwich Plate **Spacer**
- 1x **Extended** Threaded Centre Bolt
- 1x Nitrile O-Ring
- 2x **1/8 NPT** Sensor Port Blanking Plug

Installation & Assembly

- Please relieve fluid **pressure** and allow temperature to **cool** before **removing** any hose, fittings or adapters.
- **Lubricate** seals and **avoid** over-tightening threads.
- Please contact our technical support team for any further information or **help** with your installation.

*Dimensions below are shown in **millimeters** (mm)



Please Note

Before operating the vehicle, it is the installer's responsibility to ensure that all components are fully tightened and secure. Failure to do so, could result in oil loss or, in the worst case, engine failure.

Contact

auto@helperformance.com
01392 811 601 (Option 2)



auto.helperformance.com

Revision 20/03/24

