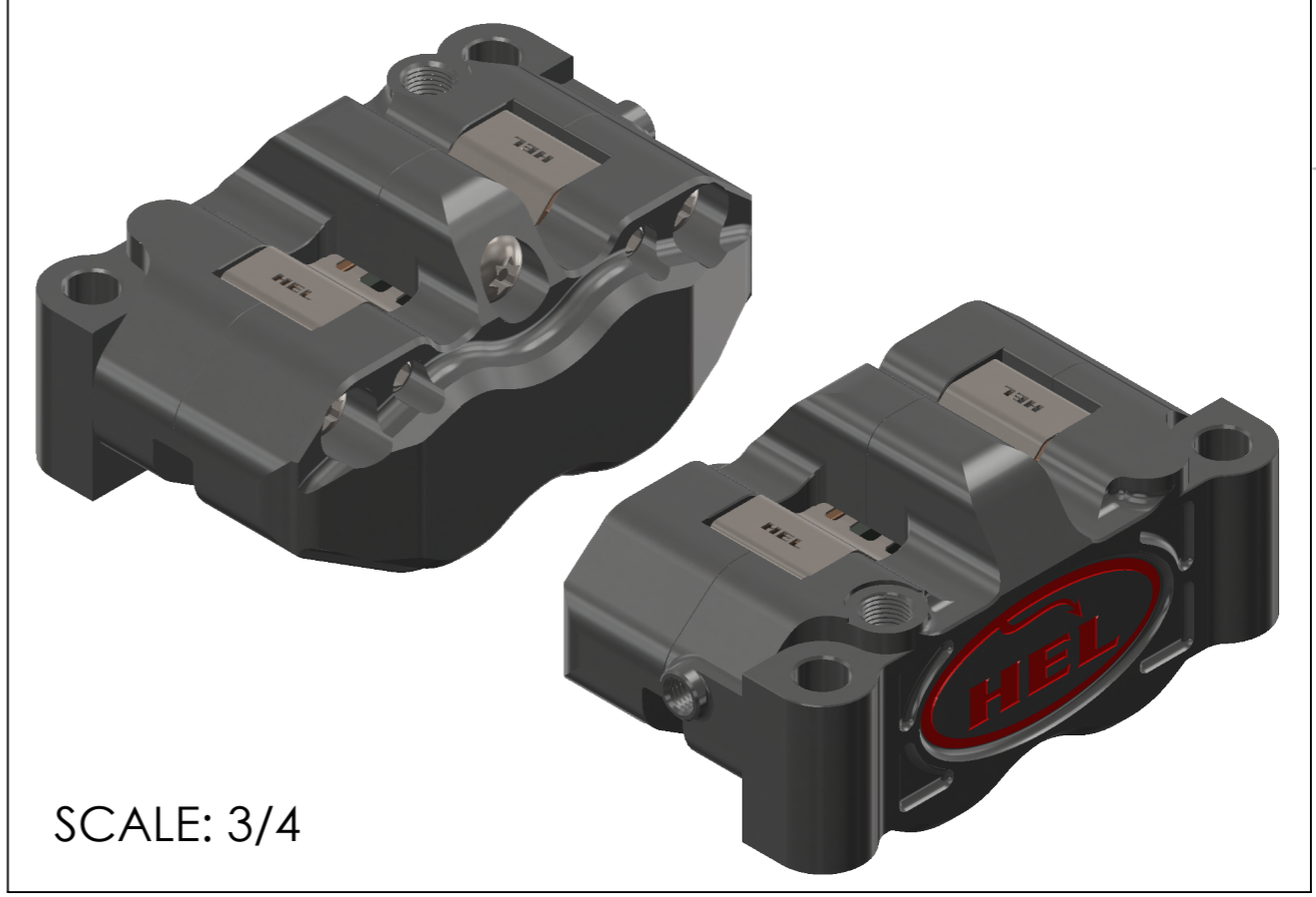

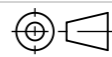


FOR USE WITH EBC FA390HH PAD



SCALE: 3/4

 <p>CONFIDENTIAL: THIS DRAWING IS THE PROPERTY OF HEL PERFORMANCE PRODUCTS. THIS DRAWING MAY NOT BE COPIED OR USED FOR ANY PURPOSE OTHER THAN THAT IT IS SUPPLIED, WITHOUT THE WRITTEN AUTHORITY OF HEL PERFORMANCE PRODUCTS.</p>	<p>HEL PERFORMANCE PRODUCTS LOWER TRELAKE BUSINESS PARK TEDBURN ROAD EXETER DEVON EX4 2HF</p>	<p>TOLERANCES: UNLESS OTHERWISE SPECIFIED: LINEAR: 3 DEC PLACES ± 0.050 2 DEC PLACES ± 0.10 1 DEC PLACE ± 0.2 ANGULAR: 0.25° ALL DIMENSIONS IN MILLIMETERS UNLESS OTHERWISE SPECIFIED REMOVE ALL CORNERS 0.25 MAX</p>	<p>DESCRIPTION: CALIPER, RADIAL, FRONT, GEN.1 [100MM]</p>	<p>DRAWN BY: AG CHECKED: --</p>
	<p>Tel: +44 (0) 1392 811 601 Fax: +44 (0) 1392 811 681 Email: sales@helpperformance.com WWW: helpperformance.com</p>	<p>PART NUMBER: HC100-3232</p>	<p>DATE: 03/03/2025 APPROVED: SL</p>	<p>DEPT.: N/A WEIGHT: 771.87G</p>
	<p>MATERIAL: 6082-T6</p>	<p>FINISH: HARD ANODISED</p>	<p>SCALE: 1:1</p>	<p>REVISION: 01</p>
	<p>THIRD-ANGLE PROJECTION </p>	<p>DO NOT SCALE</p>	<p>A3</p>	